

ASUS AUDIO DETAILS

RealTek **ALC883** 6-Channel Codec
1 x Coaxial **S/PDIF** out port
Supports Audio Sensing and Enumeration Technology
Supports Multi-Streaming Technology



Motherboard AAFP front panel connector.

High Definition Audio

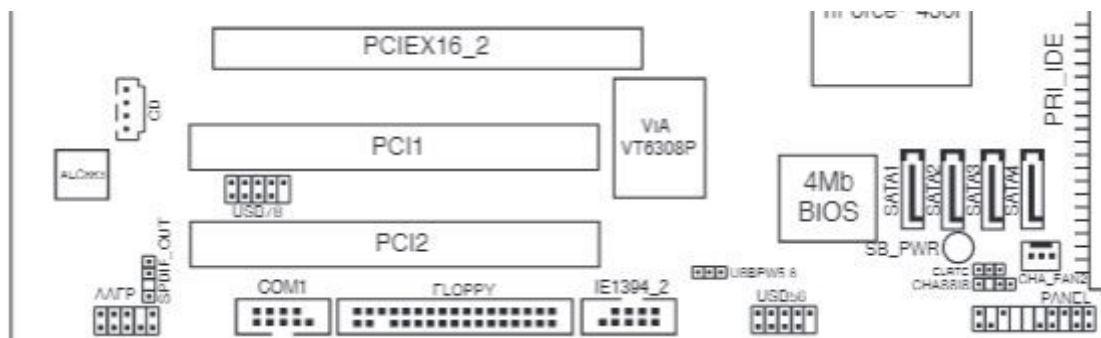


The onboard 6-channel High Definition audio CODEC enables high-quality Realtek ALC883 audio CODEC, which automatically detects and identifies what types of peripherals are plugged into the audio I/O jacks and notifies users of inappropriate connection. See page 1-28 for details.

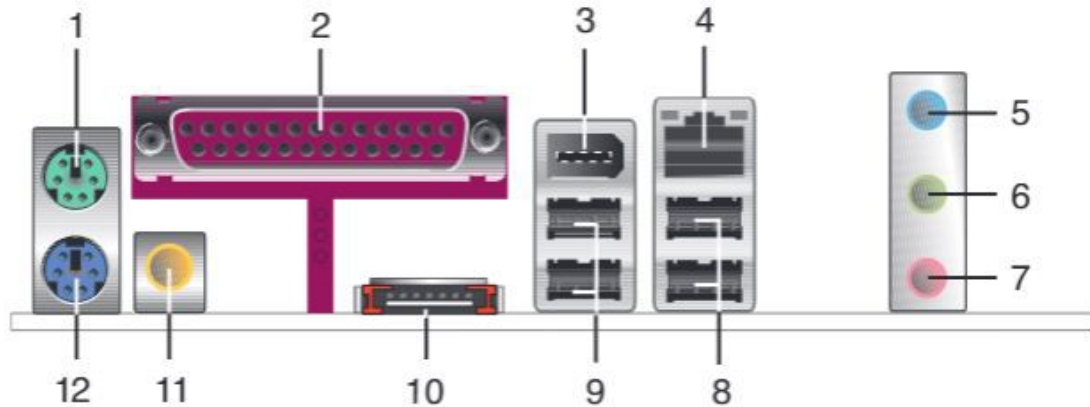
S/PDIF digital sound ready



The motherboard supports the S/PDIF technology through the S/PDIF interfaces on the rear panel and at midboard. The S/PDIF technology turns your computer into a high-end entertainment system with digital connectivity to powerful audio and speaker systems. See page 1-28.



1.10.1 Rear panel connectors



1. **PS/2 mouse port (green).** This port is for a PS/2 mouse.
2. **Parallel port.** This 25-pin port connects a parallel printer, a scanner, or other devices.
3. **IEEE 1394a port.** This 6-pin IEEE 1394 port provides high-speed connectivity for audio/video devices, storage peripherals, PCs, or portable devices.

5. **Line In port (light blue).** This port connects the tape, CD, DVD player, or other audio sources.
6. **Line Out port (lime).** This port connects a headphone or a speaker. In 4-channel, and 6-channel configuration, the function of this port becomes Front Speaker Out.
7. **Microphone port (pink).** This port connects a microphone.

Audio 2, 4, or 6-channel configuration

Port	Headset 2-channel	4-channel	6-channel
Light Blue	Line In	Rear Speaker Out	Surround
Lime	Line Out	Front Speaker Out	Front Speaker Out
Pink	Mic In	Mic In	Center/Bass

8. **USB 2.0 ports 3 and 4.** These two 4-pin Universal Serial Bus (USB) ports are available for connecting USB 2.0 devices.
9. **USB 2.0 ports 1 and 2.** These two 4-pin Universal Serial Bus (USB) ports are available for connecting USB 2.0 devices.
10. **External SATA port.** This port connects to an Serial ATA hard disk drive.
11. **Coaxial S/PDIF Out port.** This port connects an external audio output device via a coaxial S/PDIF cable.
12. **PS/2 keyboard port (purple).** This port is for a PS/2 keyboard.

AUDIO BIOS SETTINGS (for details see reference link below) – Manual Page 2-33

HD Audio [Enabled]

Allows you to disable or enabled the onboard HD audio controller.
Configuration options: [Disabled] [Enabled]

Front Panel Support Type [AC97]

Allows you to select the Front Panel Type AC97 or HD Audio.
Configuration options: [AC97] [HD Audio]

REFERENCES:

<https://superuser.com/questions/419038/hd-audio-or-ac97-connector-which-to-use-when-and-whats-the-difference>

<https://en.wikipedia.org/wiki/S/PDIF>

Motherboard HDA FP 9 pin connector

https://www.amazon.co.uk/ask/questions/Tx20ZQ1PHXVVP8X/ref=ask_ql_ql_al_hza

<https://forums.tomshardware.com/threads/i-would-like-to-use-my-front-panel-sound-ports.283561/>